

COUNTY OF KANE

DEVELOPMENT DEPARTMENT
Building and Community Services Division
Mark D. VanKerkhoff, AIA, Director



County Government Center
719 Batavia Avenue
Geneva, Illinois 60134
Phone: (630) 232-3485
Fax: (630) 232-3411
Website: www.co.kane.il.us

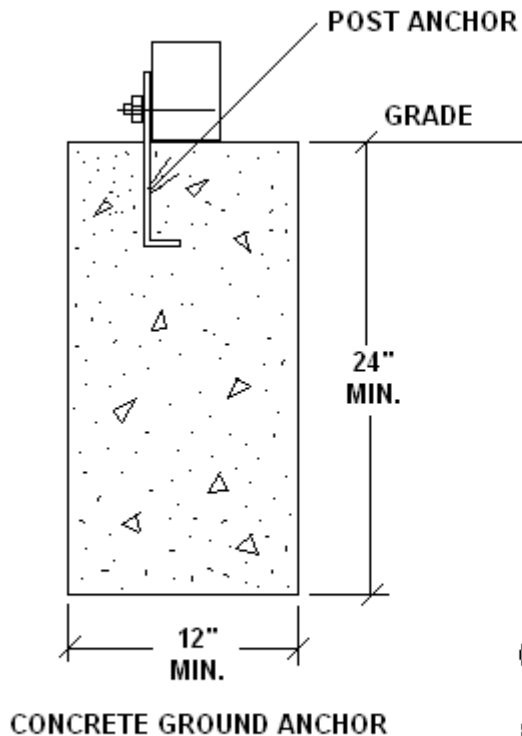
ACCESSORY STRUCTURE ANCHORAGE GUIDE

(Note: These details are not intended to "storm proof" the structure)

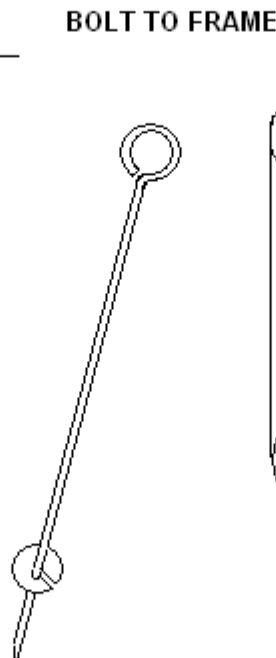
All structures, without concrete foundation systems, shall be anchored to the ground.

Anchors must be permanently attached to the main frame of the structure and so designed and installed to prevent self-disconnection.

Accessory Structures between 200-300 SF may be placed on gravel and use one of the anchor types below, provided that they install one 12" dia. concrete pier at each corner of the structure and at all cross supporting members. All wood in contact with the concrete must be pressure treated and/or accordance with AWPAs.

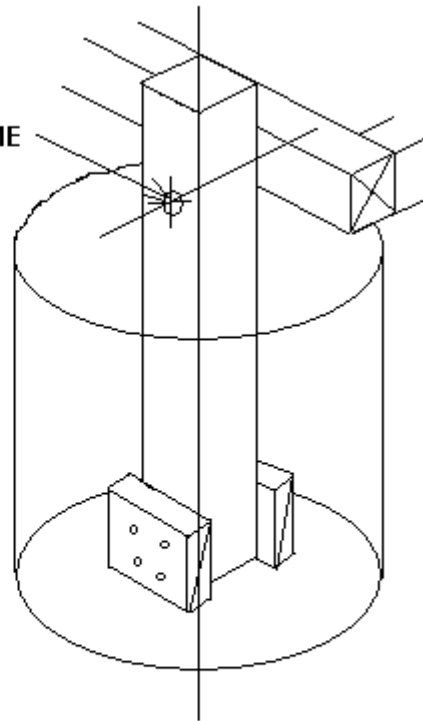


CONCRETE GROUND ANCHOR



STEEL SCREW-IN GROUND ANCHOR

(INSTALL PER MANUFACTURE IISTRUCTIONS)



4X4 WOOD GROUND ANCHOR